

ZIVY TENSIOMETER

**** Code 182A_BCDEFGHL ****

Compact mechanical tension meter for low tensions of fibres and thread. Small handy tension meter at pocket size. Hand-held unit for applications in the textile industry for measuring thread tension. 11 Tension ranges from 0.5 - 3 g up to 50 - 170 g.

Special Features

- 2-roller measuring system.
- Small, handy design.
- Large enlacement of thread.

Standard Features

- V-grooved aluminum guide rollers, ball-bearing mounted.
- Tension meter with aluminum housing.



Aquire



Measure

Operation

The tension meter is for one-hand operation. For feed in, place the material between the two guide rollers. Push and hold the button at the instrument. The outer roll will be pivoted to the top and the device is ready to work. The measured tension will be shown at the precision gear.

*Photographs and descriptions of the present leaflet have to be considered as purely indicative and not binding.
*Le immagini e le descrizioni del presente catalogo sono da ritenersi puramente indicative e non vincolanti.

ZIVY TENSIOMETER

**** Code 182A_BCDEFGHL ****

Available models

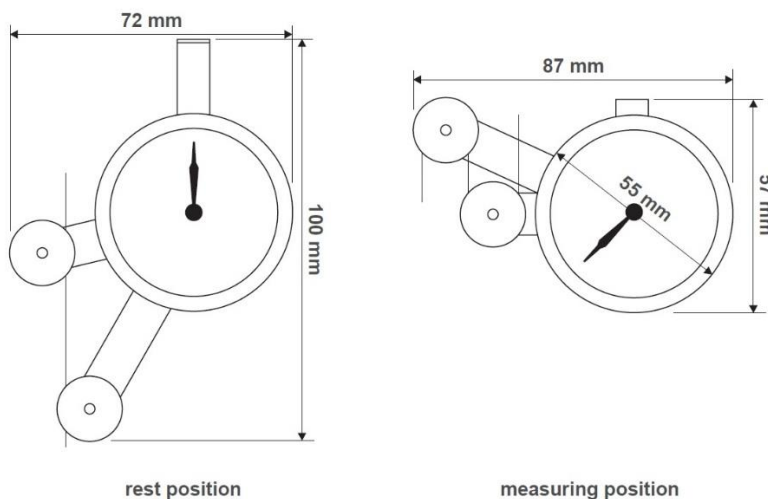
Code	Model	Measuring range [g]
	TEN-3K	0.5 - 3
182A	TEN-5K	1 - 5
182H	TEN-10K	2 - 10
182B	TEN-12K	2 - 12
182L	TEN-20K	5 - 20
182C	TEN-30K	5 - 30
182D	TEN-50K	10 - 50
	TEN-60K	10 - 60
182E	TEN-70K	10 - 70
182F	TEN-120K	20 - 120
182G	TEN-170K	50 - 170

1 g = 0.980735 cN.

Guide rollers

Order-Code	Line speed	Roller Material
	V max (m/min)	
Standard	900	Aluminium black colored

Dimensions



*Photographs and descriptions of the present leaflet have to be considered as purely indicative and not binding.
*Le immagini e le descrizioni del presente catalogo sono da ritenersi puramente indicative e non vincolanti.

ZIVY TENSIOMETER

**** Code 182A_BCDEFGHL ****

Delivery includes



Tension meter with carrying case, roller wrench, operating instruction in german, english, french and italian

Specifications

Accuracy:	±1.5 % Full scale or ±1 digit
Scale diameter:	40 mm
Temperature range:	10 - 50 °C
Air humidity:	85 % RH, max.
Housing:	Aluminium
Dimensions (L x W):	100 x 72 mm
Weight net (gross):	150 g (260 g)
<small>*Photographs and descriptions of the present leaflet have to be considered as purely indicative and not binding. *Le immagini e le descrizioni del presente catalogo sono da ritenersi puramente indicative e non vincolanti.</small>	

CODE	CARATTERISTICHE	FEATURES
182A	scala di misura da 1 a 5 cN	measuring scale from 1 to 5 cN
182H	scala di misura da 2 a 10 cN	measuring scale from 2 to 10 cN
182B	scala di misura da 2 a 12 cN	measuring scale from 2 to 12 cN
182L	scala di misura da 5 a 20 cN	measuring scale from 5 to 20 cN
182C	scala di misura da 5 a 30 cN	measuring scale from 5 to 30 cN
182D	scala di misura da 10 a 50 cN	measuring scale from 10 to 50 cN
182E	scala di misura da 10 a 70 cN	measuring scale from 10 to 70 cN
182F	scala di misura da 20 a 120 cN	measuring scale from 20 to 120 cN
182G	scala di misura da 50 a 170 cN	measuring scale from 50 to 170 cN
	Dimension (L x P): 100 x 72 mm	Dimensions (L x W): 100 x 72 mm
	Peso netto: 150 grammi	Net weight: 150 grams
CODE	OPTIONAL	OPTIONAL
182 CC1	Rapporto di taratura	Calibration report
<small>*Photographs and descriptions of the present leaflet have to be considered as purely indicative and not binding. *Le immagini e le descrizioni del presente catalogo sono da ritenersi puramente indicative e non vincolanti.</small>		

*Photographs and descriptions of the present leaflet have to be considered as purely indicative and not binding.
*Le immagini e le descrizioni del presente catalogo sono da ritenersi puramente indicative e non vincolanti.